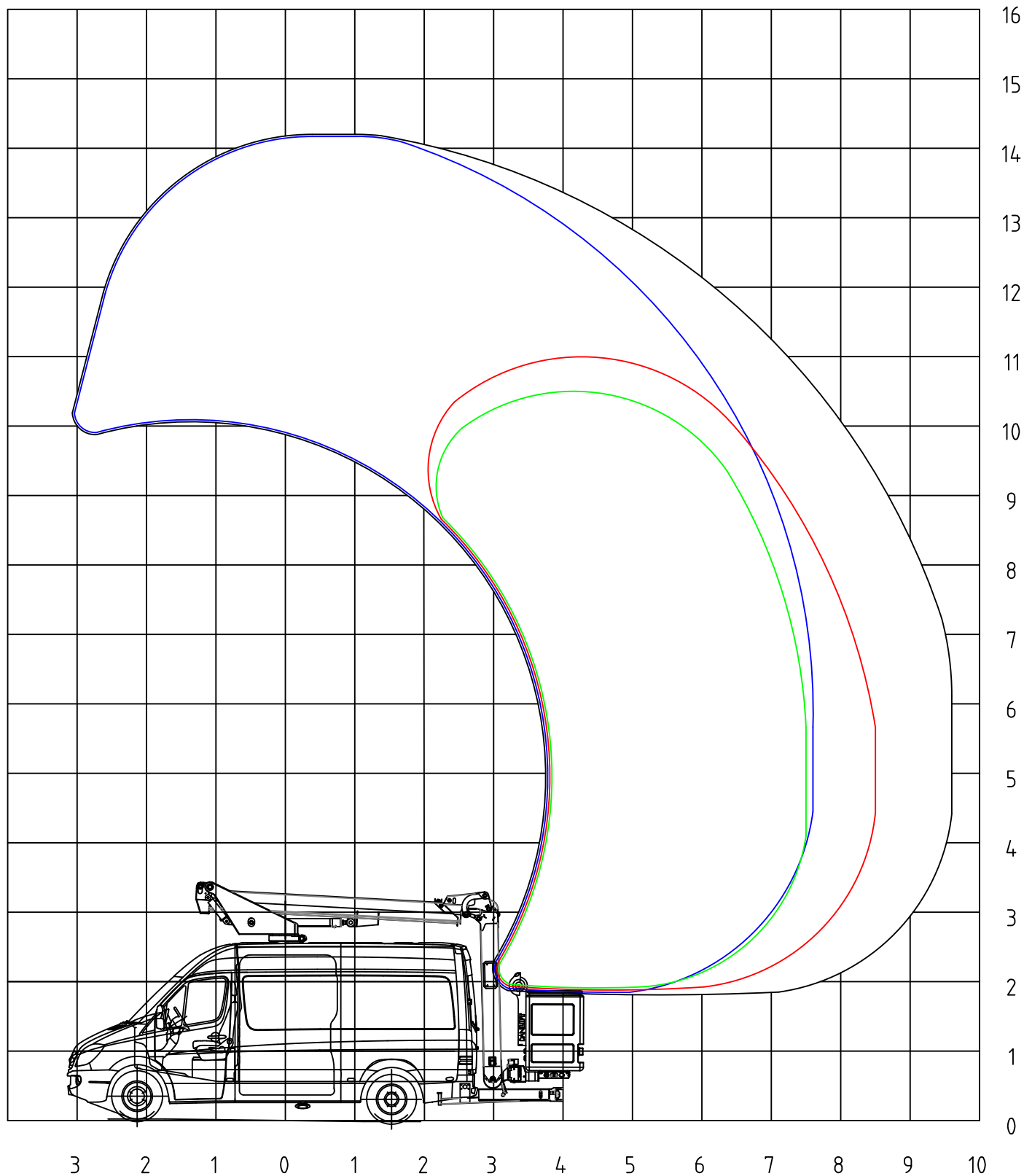


1 METER



- WORKING WITH OUTRIGGERS, CAGE LOAD 100 KG
- WORKING WITHOUT OUTRIGGERS, CAGE LOAD 100 KG
- WORKING WITH OUTRIGGERS, CAGE LOAD 265 KG
- WORKING WITHOUT OUTRIGGERS, CAGE LOAD 265 KG



PALFINGER Palfinger Platforms GmbH	PLATFORM: PALFINGER	TYPE: PD143V	EQUIPMENT: ----	DWG BY: Henrik	DATE: 09.11.2018	REV: 09.11.2018
	VEHICLE: MB SPRINTER	TYPE: 516 CDI	STABILAZER WIDTH: ----	DRAWING: I:\LIFT\DATA\LEV. & IGANGV\ERENDE LIFTE\DANILIFT WDT-J SERIE & PD-V SERIE\PD143V\31143102 REDDY TO GO (SPRINTER)\02 - TEKNISK SPECIFIKATIONER\DRAWING 31143102		